

## Residual waste presses

Convenient. Flexible. Economic.

Compaction of residual waste is becoming more and more important due to increasing disposal costs. Strautmann residual waste presses reduce your disposal costs and care for more space in your bin!



**Before:**

The loose collection of residual waste caused high disposal costs. Time consuming and annoying „climbing into the bin“ to get more space, steals time and energy.

**After:**

The compaction of residual waste reduces disposal costs and saves space. Previously two or more garbage bins were needed - now using waste presses one is enough.



## Save space and disposal costs!

Residual waste presses are used in the hotel business & gastronomy, hospitality industry, and public facilities such as schools and other social facilities. The durable presses allow a flexible indoor and outdoor installation.

### Advantages at a glance

- Space saving
- Reduction of disposal costs
- Volume reduction up to 75%
- Less amount of work
- Cleanliness and tidiness

### Advantages of the machine

- Durable machine design
- Galvanized pressing plate at the RC
- No pressure on the wheels
- Safe two-hand operation
- Secure fixing of the container in the machine

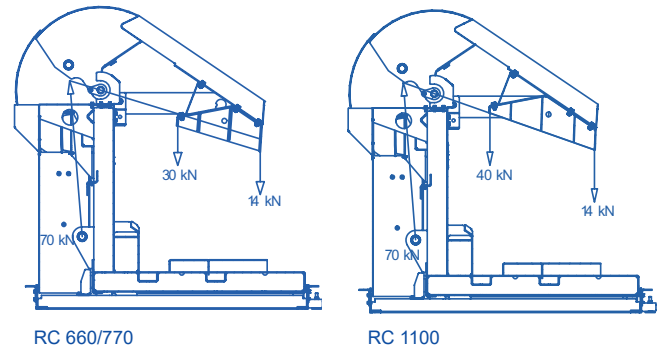
	MT 240	RC 660/770	RC 1100
Pressing force in kN	up to 5	30-70	40-70
Container size in l	240	660, 770	1100
Electrical connection	230 V, 50 Hz, 0,37 kW	230 V, 50 Hz, 1,5 kW	230 V, 50 HZ, 1,5 kW

## Volume reduction up to 75%

The bin press "MT" compact recyclables in 240 l bins. The roll container press "RC" is used for larger containers with a filling volume of 660-, 770-, and 1,100 l.

The pressing process starts by two-hand operation after placing the container in the machine. The roll container press is equipped with fixing arms to hold the containers safely. No pressure on the wheels occurs during pressing process due to a special machine design. Result is a long life time.

The compacted material is still suitable for dumping and can be disposed of easily.



#### Two-hand operation

The two-hand operation is mounted on a user ergonomic height and ensures a simple and safe handling.



#### Fixing arms

Lateral arms fix the container, so that the container does not move which ensures stability and safety.



#### No pressure on the wheels

During the pressing process, the container is raised by a special machine construction. Thereby the containers are not strained and retain their long life time.